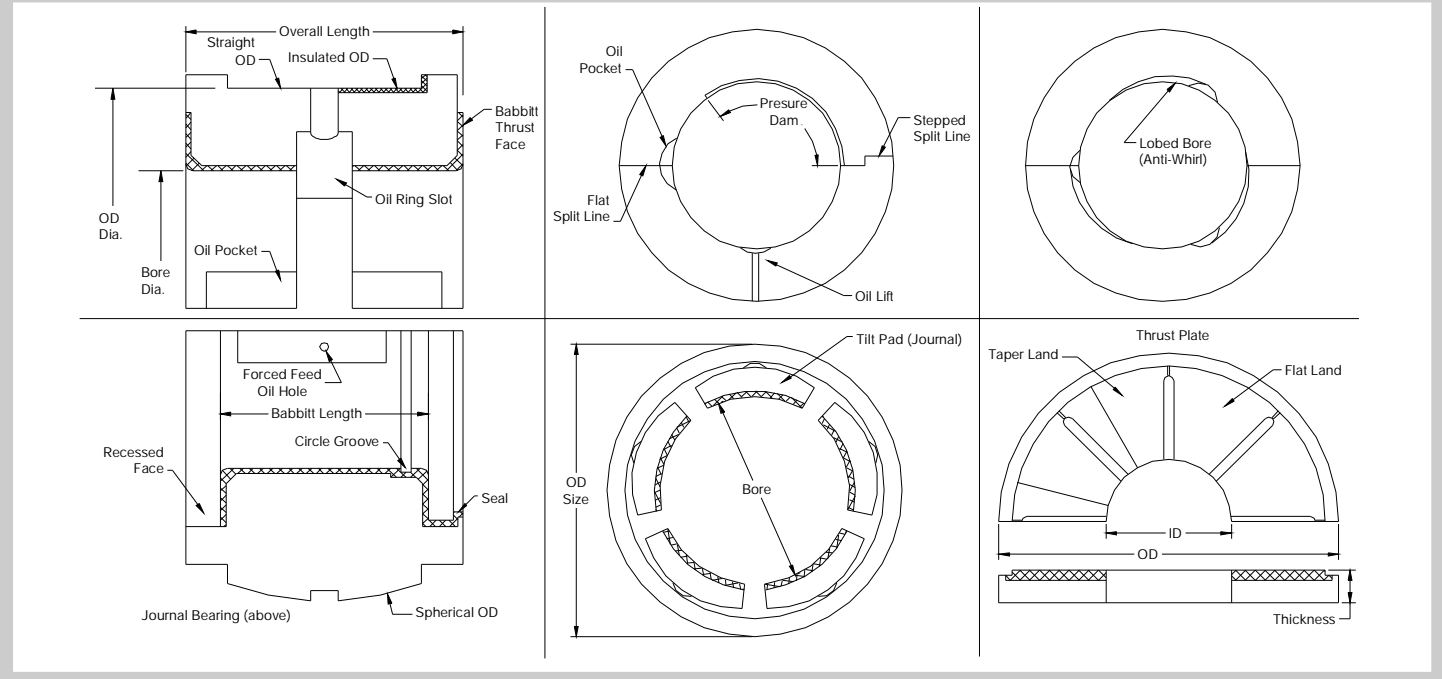




BABBITTING SERVICE, INC.

1617 Louise Dr. • South Elgin, IL 60177
 Phone (847)841-8008 • Fax (847)841-8004
 Web www.babbitting.com • Email: sales@babbitting.com

Quote Request Work Sheet



Company Name _____ Contact _____ Your Ref # _____

Bearing Application (Turbine, Gearbox, Pump, etc.) _____
 Manufacturer / OEM (Westinghouse, GE, etc.) _____ P/N _____
 Bearing Shell Material: Steel Cast Iron Bronze Other _____

Radial Bearing / Journal Bearing—Information Area Below (Fill in as much information as possible)

Bearing Type (Check all that apply): Split Solid Round Babbitt Thrust Face(s) Lobed Bore
 Oil Lift Water Cooled Pressure Dam Tilt Pad
 Bearing Bore Size: _____ Elliptical Round Bore Tilt Pad Qty _____ Other _____
 Bearing OD Size: _____ Straight Fit Spherical / Ball Seat Insulated Bolt On Pads
 Does Bearing Have A Flange? Yes No (If yes Flange Diameter _____ Both Ends
 Overall Length: _____ Babbitt Length _____ Recessed Face Both Ends
 Oil Lubrication Type: Pressure Feed Oil Rings (Qty of oil ring slots _____ & width of each slot _____)

Thrust Bearing—Information Area Below (Fill in as much information as possible)

Thrust Bearing Type:
 Thrust Plate: ID _____ OD _____ Thickness _____ Taper Land Flat Land
 Tilt Pad: Pad Thickness _____ OD of Thrust Assy _____ Qty of Pads _____

Work Scope For Your Quotation (Check All That Apply)

Work Required: Standard Delivery Full O/T Delivery Need Completed In _____ Days
 Rebabbitted & Finish Machined Rebabbitted & Semi Machined
 Rework OD (Mandatory on Insulated Bearings) Machine & Install New Alignment Pins
 Replace Existing RTD / TC Machine To Install New RTD / TC
 Inspection Reports Required: Dimensional Ultrasonic Dye Penetrant Metallurgical Analysis